

US PRODUCT SHEET

MONDRIAN A



Non contractual picture.

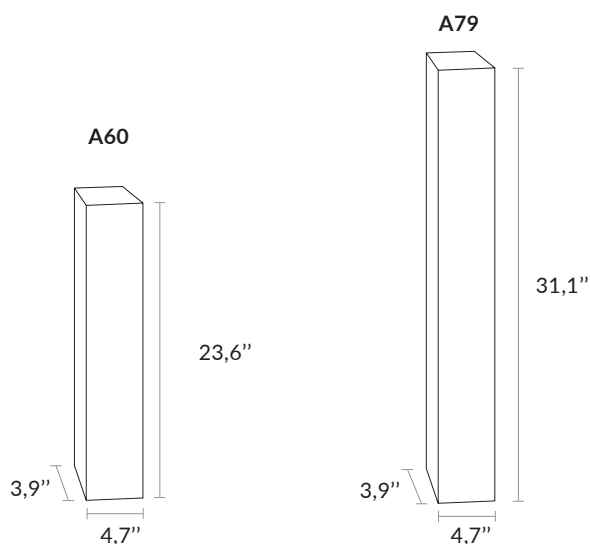
AAE MONDRIAN A US FP



Alain Ellouz
.paris

Type	Wall light Equipped with UL listed components
Environment	Indoor
Material	Alabaster
Lighting system	LED Strip 2,9W/ft (2700K or 3000K) - Integrated or deported transformer - Phase dimming
Voltage	120 V (US)
Wattage	MONDRIAN A60 : 12 W MONDRIAN A79 : 14 W
Source lumens	MONDRIAN A60 : 700 lm MONDRIAN A79 : 840 lm The alabaster diffuses between 40 and 60% of the light source lumens
Reference	MONDRIAN A60 : COL-0143 MONDRIAN A79 : COL-0145

Dimensions :



Weight :

27 lb / 12 Kg

29 lb / 15 Kg

2 years warranty. General terms and conditions of sales.

LIGHTING CONTROL SYSTEM FOR DEPORTED TRANSFORMER

To be chosen according to project : DMX, DALI (DT8), TRIAC (phase dimming, setting knobs to choose the light temperature), 1-10V (two 1-10V bus required), NONE (setting knob to choose and fix the light intensity and temperature).

For a correct functioning the remote transformer / driver must be placed in an accessible place at maximum 33' from the light fixture.